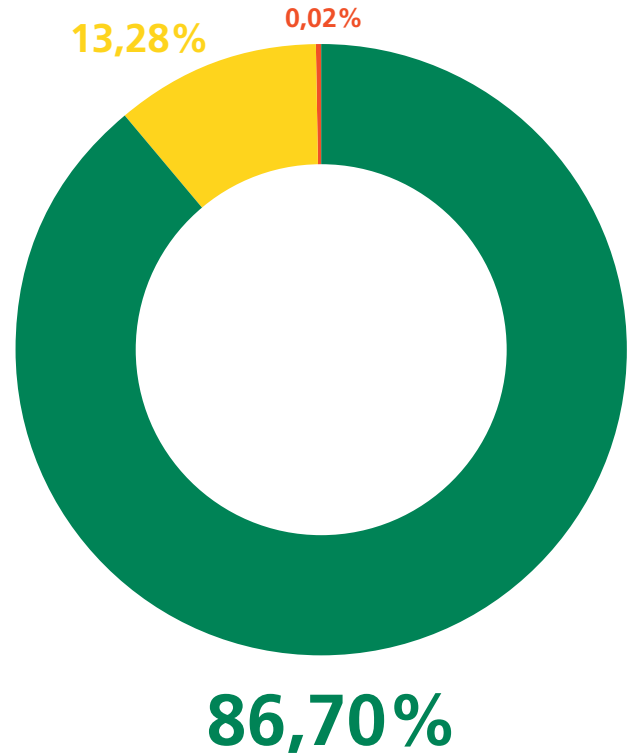
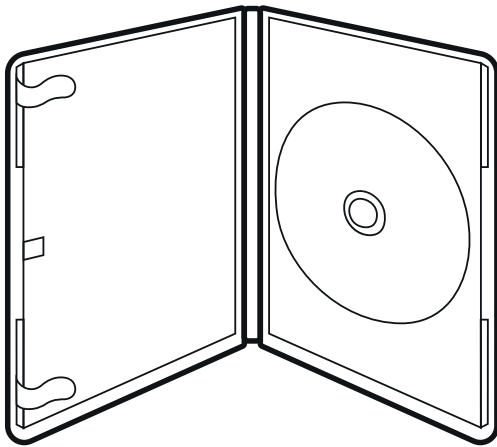


# Plastic packaging (PP)

## Resources potential

Product receiver:  
Grannex Recycling-Technik GmbH & Co. KG  
www.grannex.de



**Raw material potential:**  
- preparation for reuse  
- material recycling

**Energetic potential:**  
- production of a substitute fuel  
- energetic recovery

**Disposal:**  
- landfill  
- incineration  
- losts

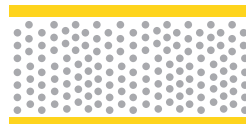
### Most important output streams

Raw material potential:



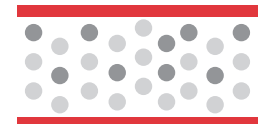
Regranulate PP

Energetic potential:



Dust losses

Disposal:



Losts