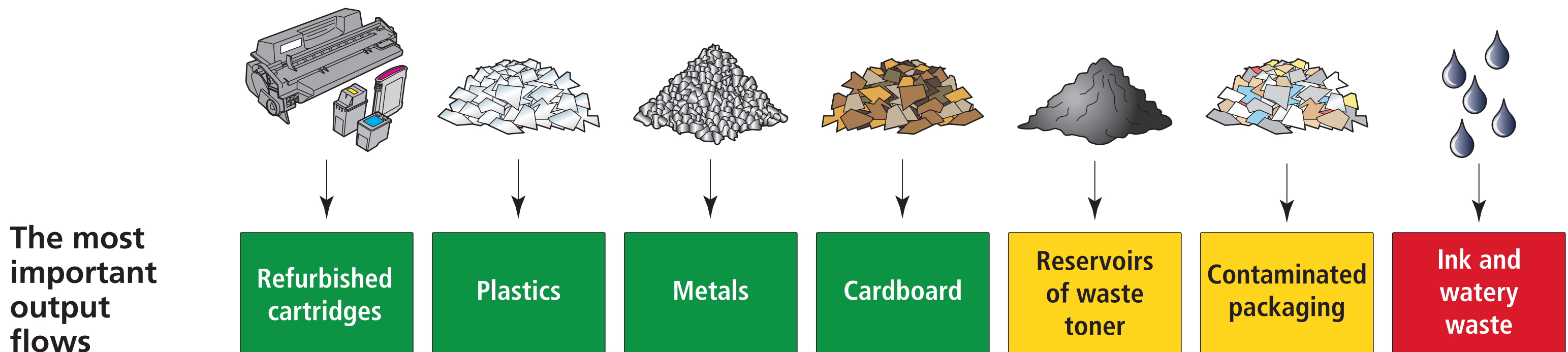
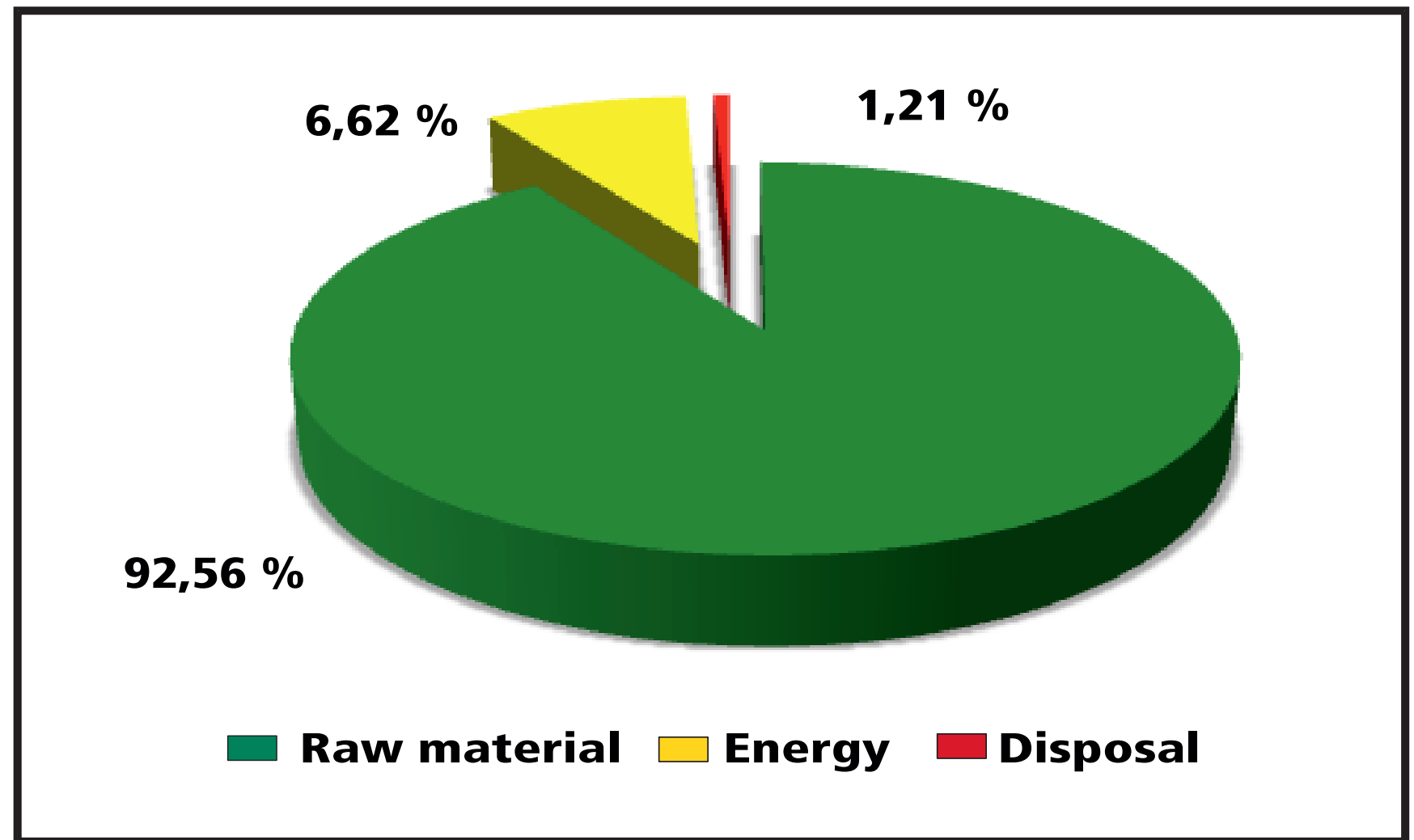
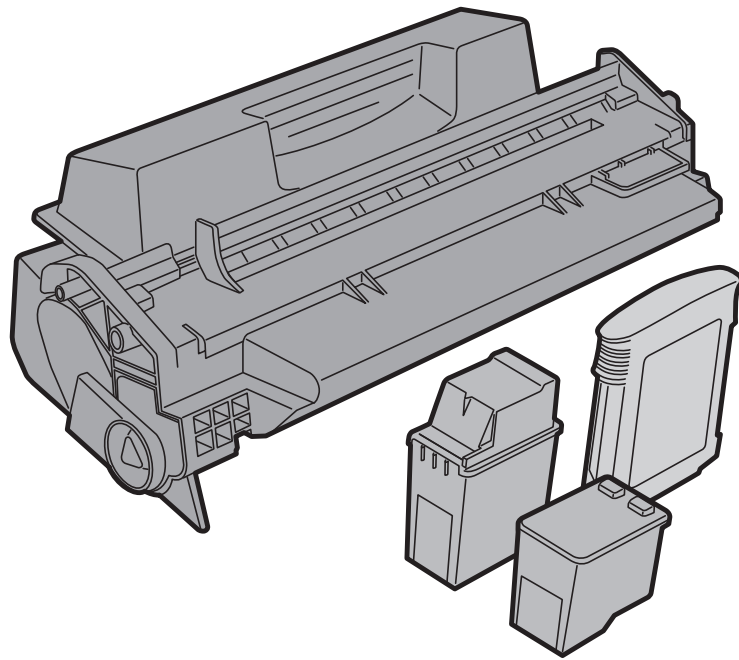


toner and ink cartridges - resources potential

Product recipient:

Clover Germany, D-Ettenheim

www.collecture.com



	<p>Raw material potential:</p> <ul style="list-style-type: none"> - material recycling - preparation for reutilization 		<p>Energetic potential:</p> <ul style="list-style-type: none"> - production of a substitute combustible - energetic recovery 		<p>Disposal</p> <ul style="list-style-type: none"> - landfill - incineration - losts
--	--	--	--	--	---

